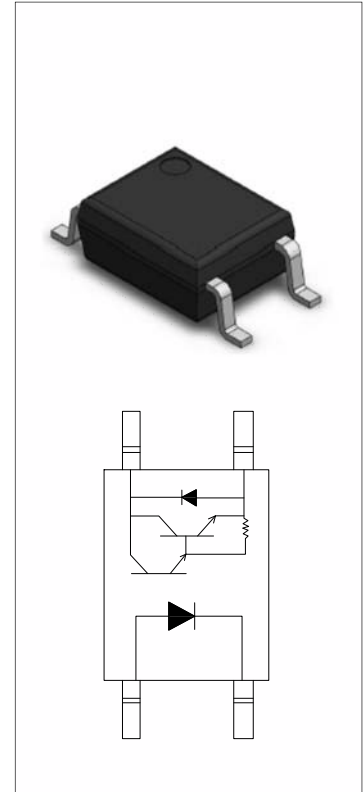




DESCRIPTION:

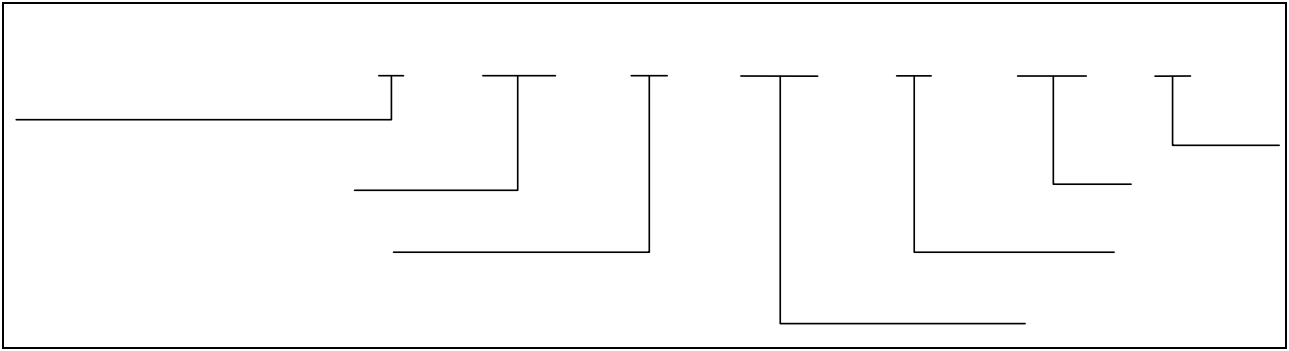


MAIN FEATURES

ABSOLUTE MAXIMUM RATINGS

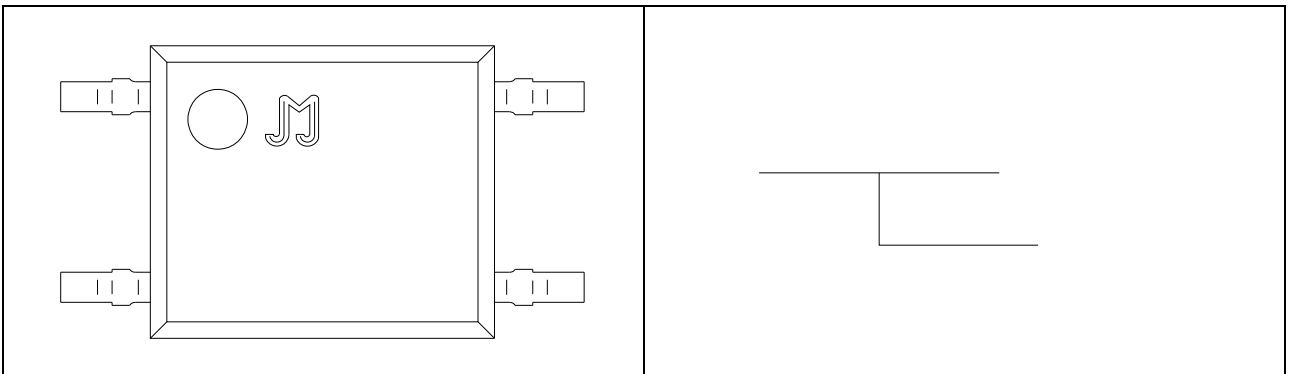
Parameter	Symbol	Value	Unit

ORDERING INFORMATION



Packing Quantity	
Option	Quantity
None/R	3000 Units/Reel

MARKING



Characteristics Curves

FIG.1:

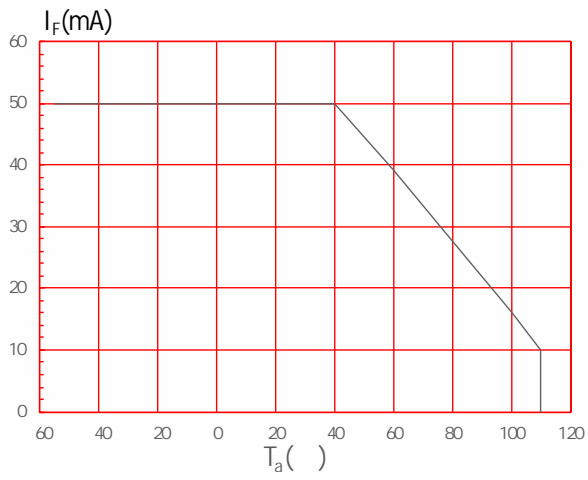


FIG.2:

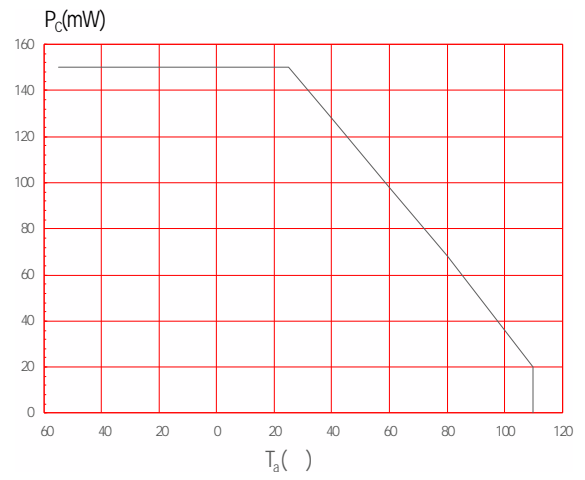


FIG.3:

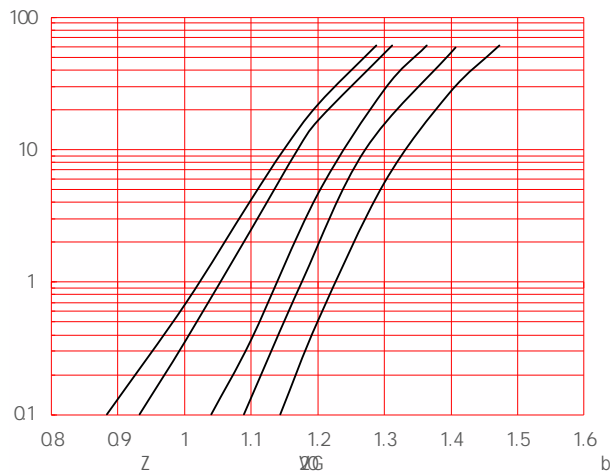


FIG.4:

CARRIER TAPE SPECIFICATIONS (Dimensions in mm unless otherwise stated)

Option None

