



DESCRIPTION:



			°C
--	--	--	----

NOTE1: 1 μs pulse NOTE2: AC for 1minute, R.H.=40~60%

ELECTRICAL CHARACTERISTICS

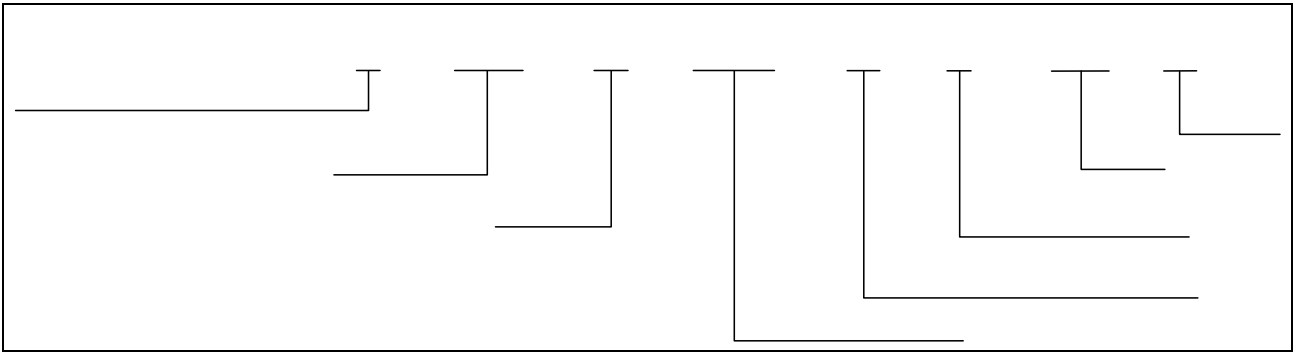
		①					

NOTE1: Rank Table of Current Transfer Ratio (Temperature=25°C)

None	80	600
A	80	160
B	130	260
C	200	400
D	300	600
E	400	600
Q	100	200

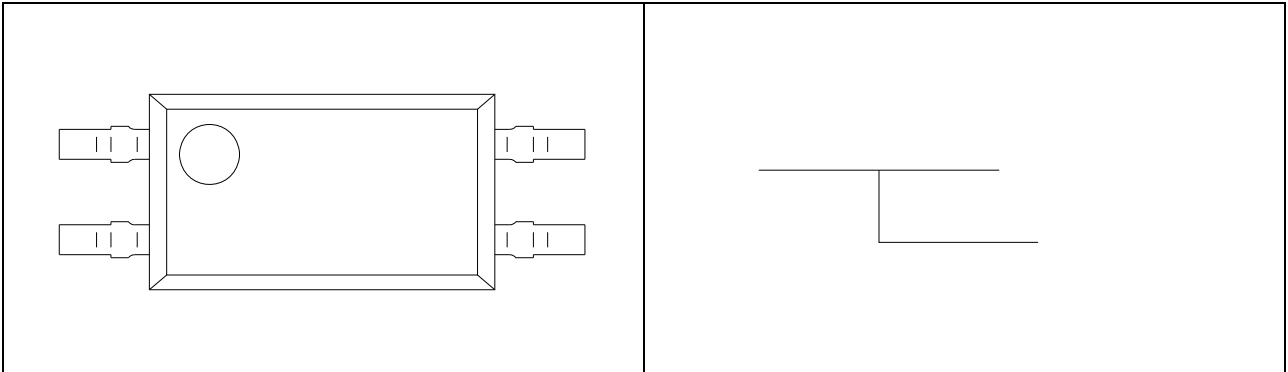


ORDERING INFORMATION



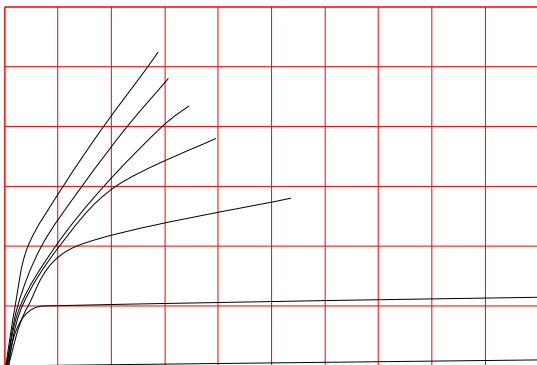
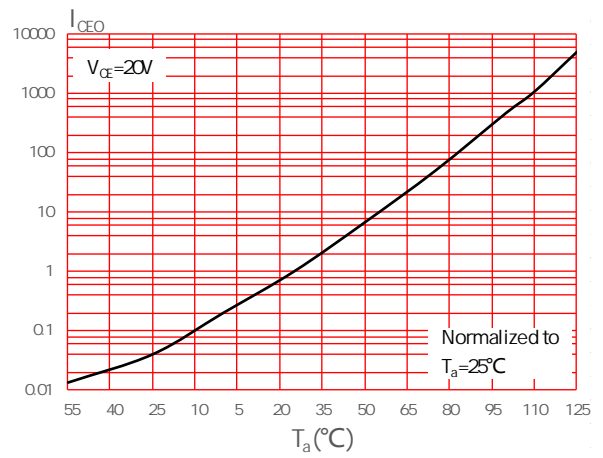
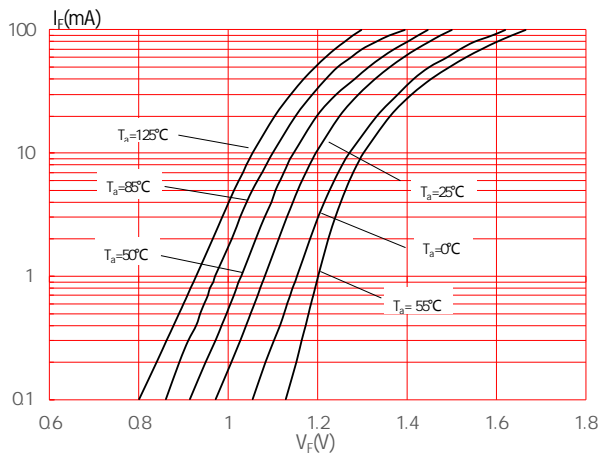
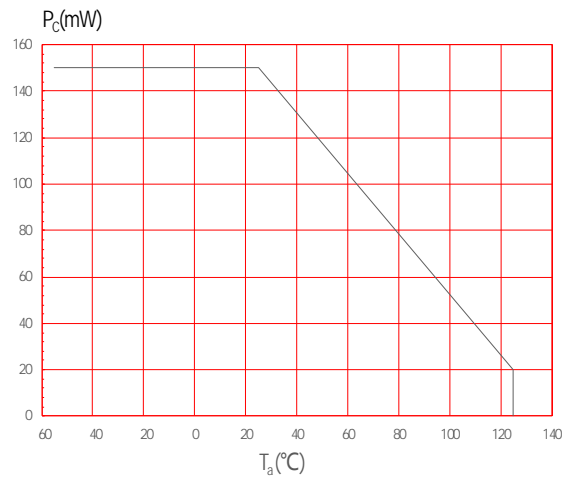
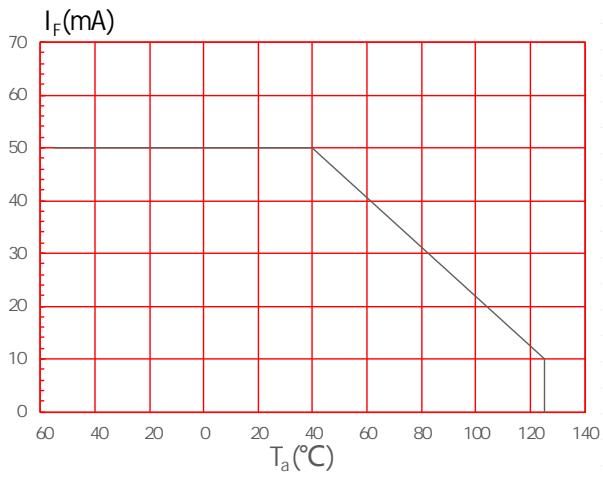
Packing Quantity	
Option	Quantity
None/R	3000 Units/Reel

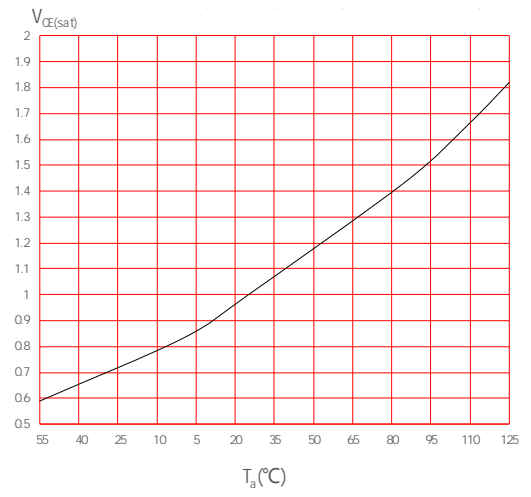
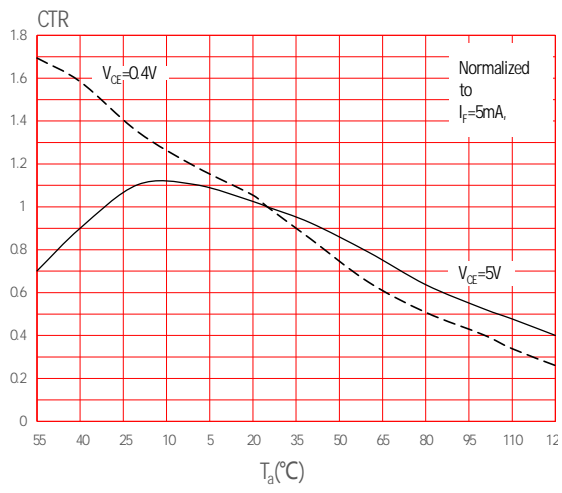
MARKING



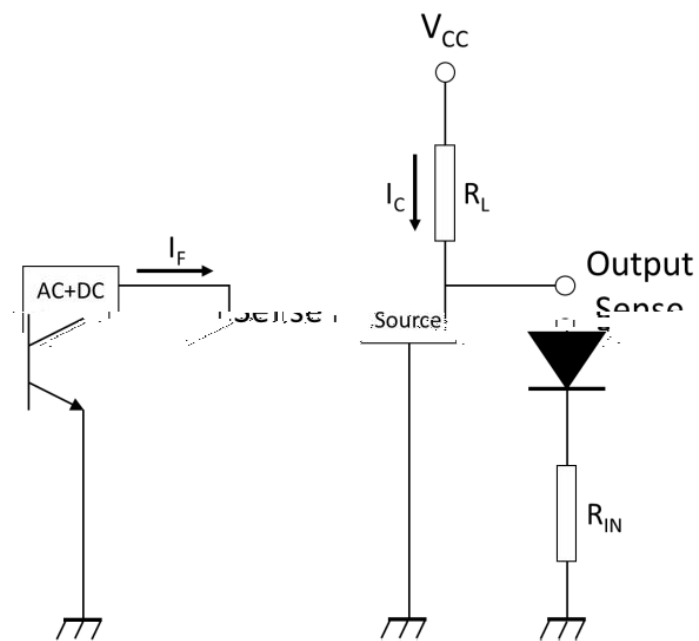
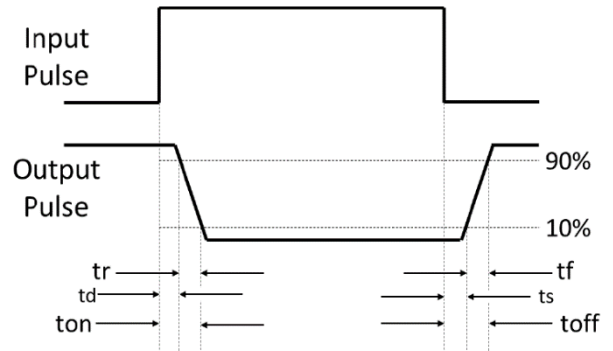
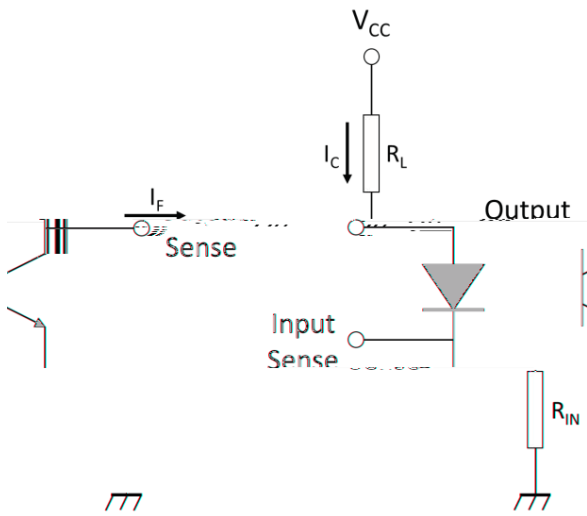


Characteristics Curves





Test Circuits





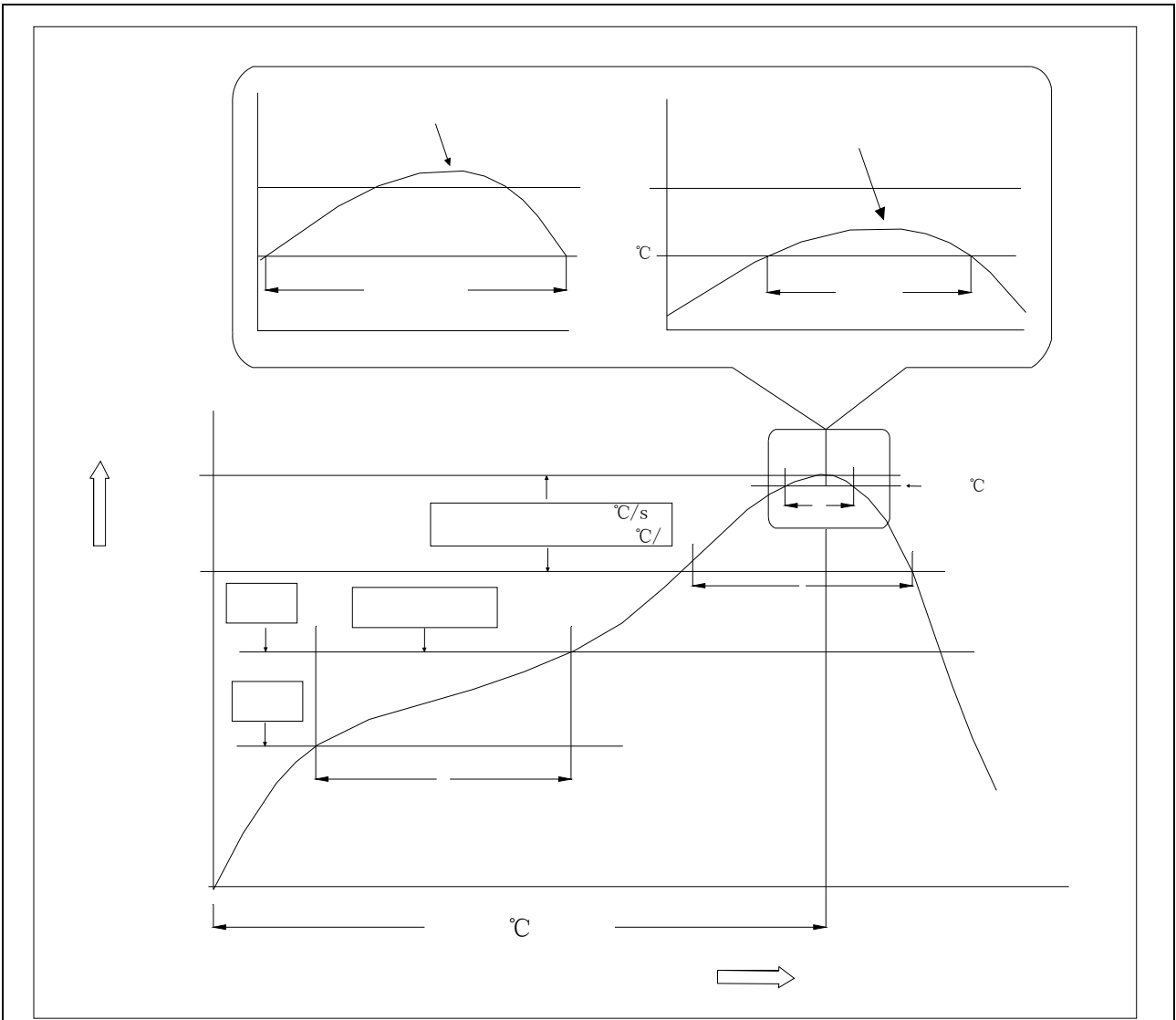
CARRIER TAPE SPECIFICATIONS (Dimensions in mm unless otherwise stated)

Option None/R





REFLOW INFORMATION



		°C
		°C
	°C	°C
	°C	°C
	°C °C °C	°C °C °C
°C °C		
	°C	°C
°C		

