



JOCHC15B-D8P/S Series

Rev.A.1.0

DESCRIPTION:

MAIN FEATURES

Truth Table

ABSOLUTE MAXIMUM RATINGS

Parameter	Symbol	Value	Unit

NOTE1: 100 s pulse, 100Hz frequency

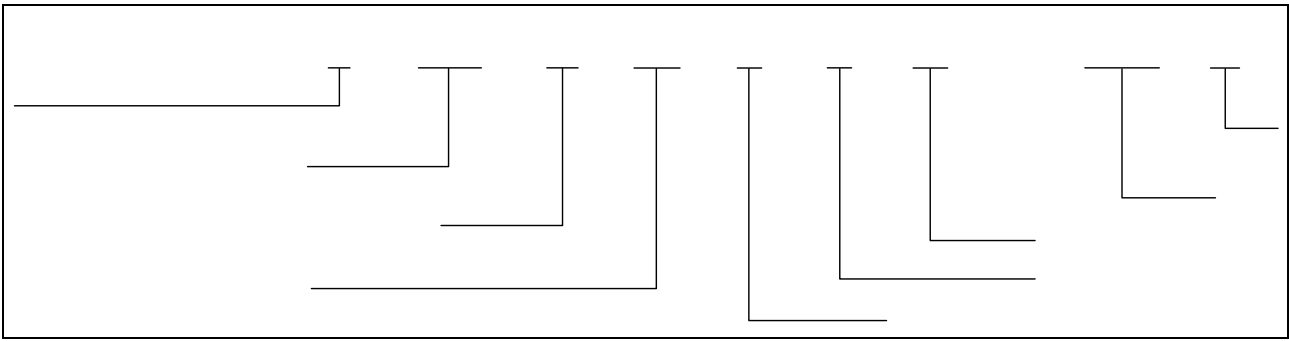
NOTE2: AC for 1minute, R.H.=40~60%

ELECTRICAL CHARACTERISTICS

Parameter	Symbol	Condition	Min.	Typ.	Max.	Unit

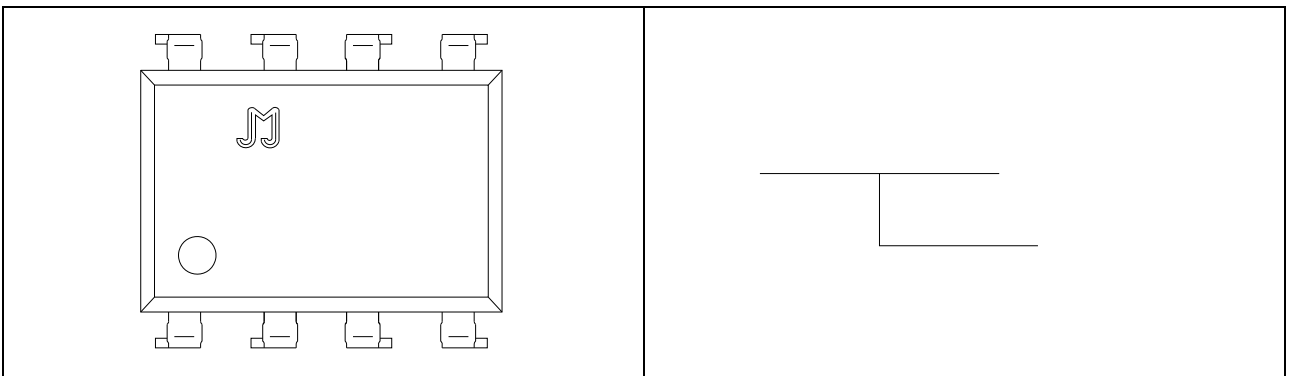
--	--	--	--	--	--	--	--

ORDERING INFORMATION



Packing Quantity	
Option	Quantity
DIP	0 Units/Tube
SMD	1200 Units/Reel

MARKING



Characteristics Curves

FIG.1:



FIG.2:

FIG.7:

FIG.8:

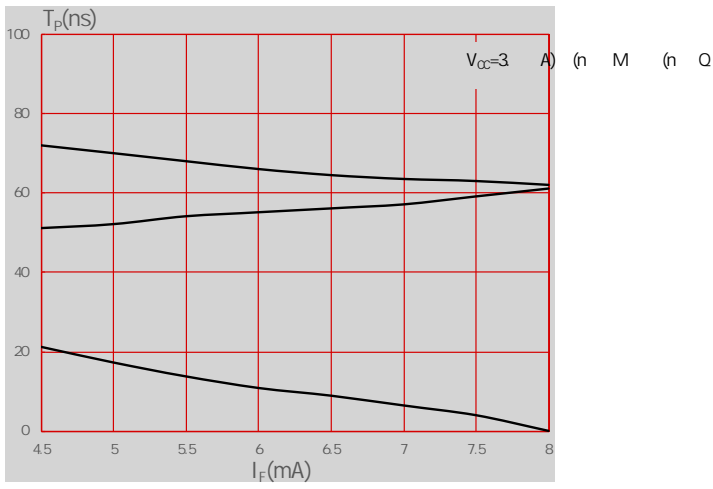
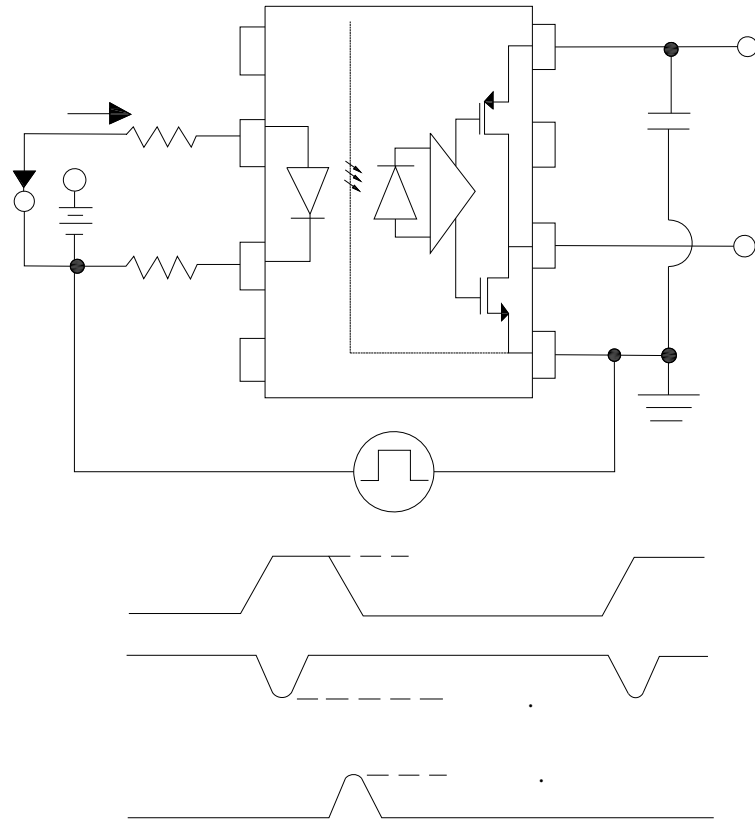


Fig.10: CMTI Test Circuit Recommendations



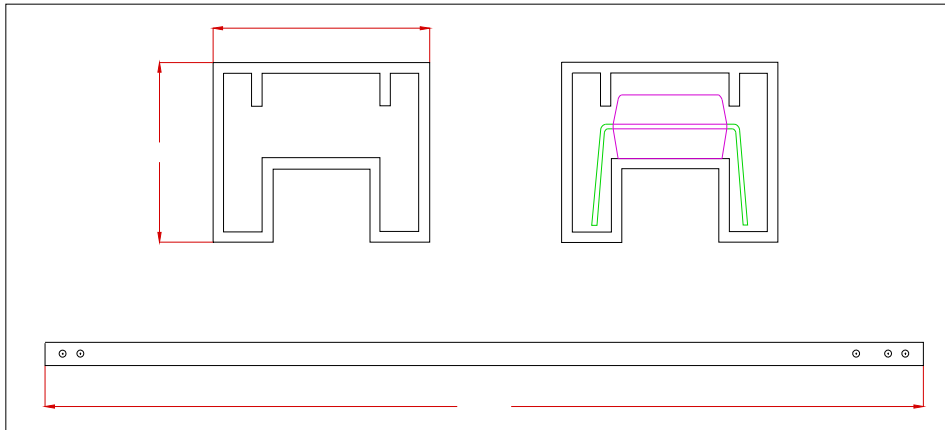
Package Dimension (Unit: mm)

Standard DIP Type:



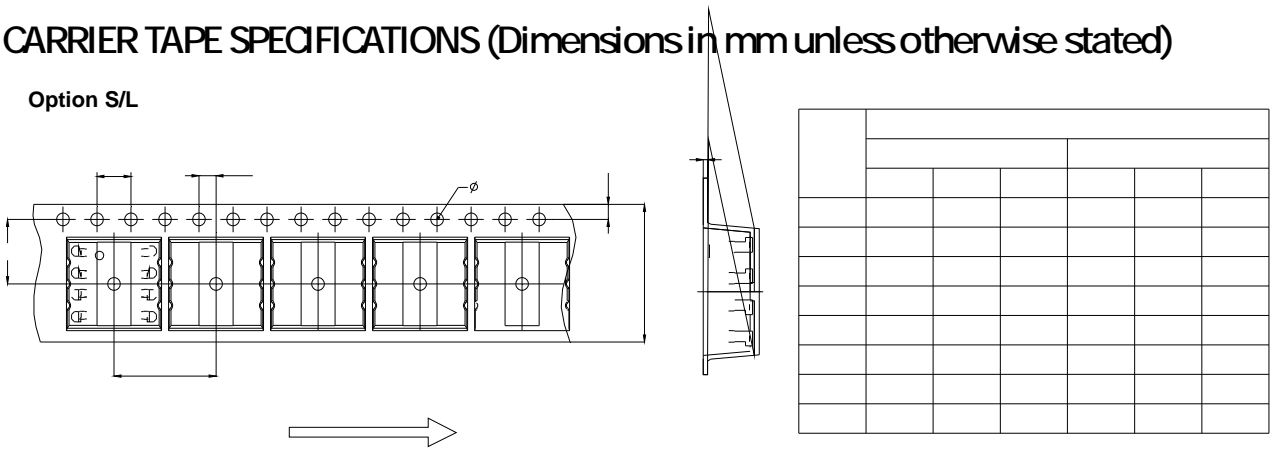
TUBE SPECIFICATIONS (Dimensions in mm unless otherwise stated)

Standard DIP

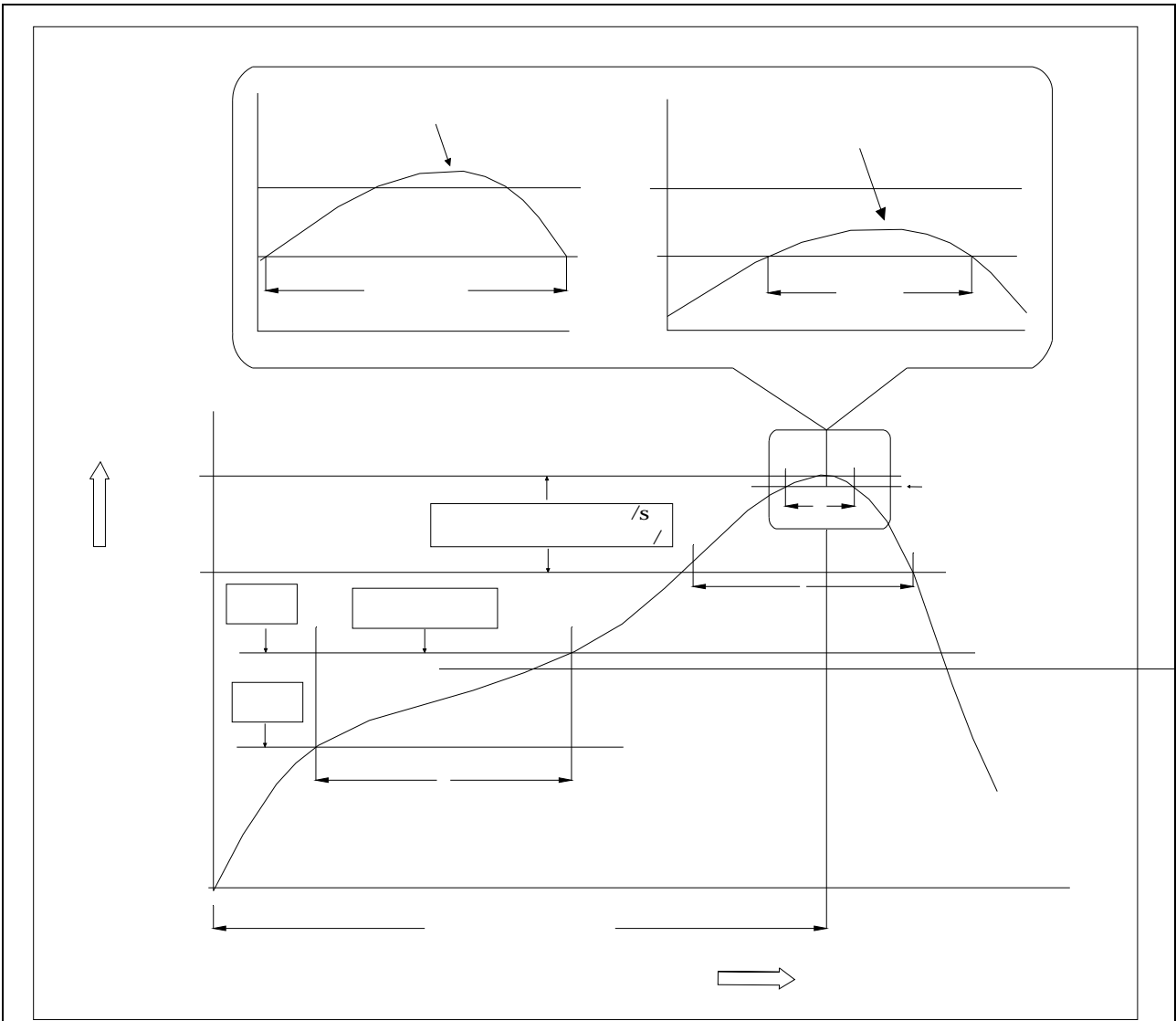


CARRIER TAPE SPECIFICATIONS (Dimensions in mm unless otherwise stated)

Option S/L

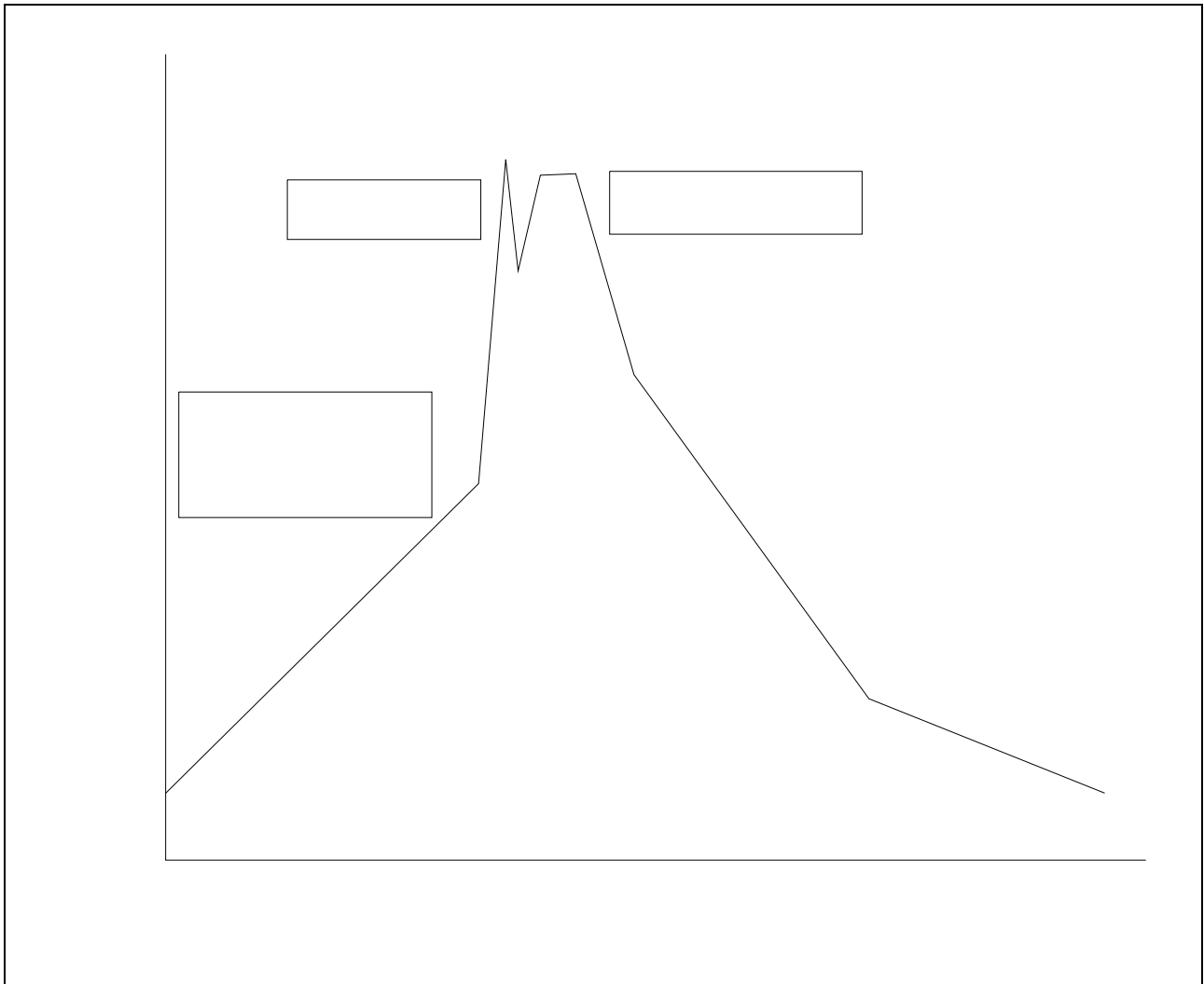


REFLOW INFORMATION



Profile Feature	Sn-Pb Assembly Profile	Pb-Free Assembly Profile

WAVE SOLDERING



HAND SOLDERING BY SOLDERING IRON

±

